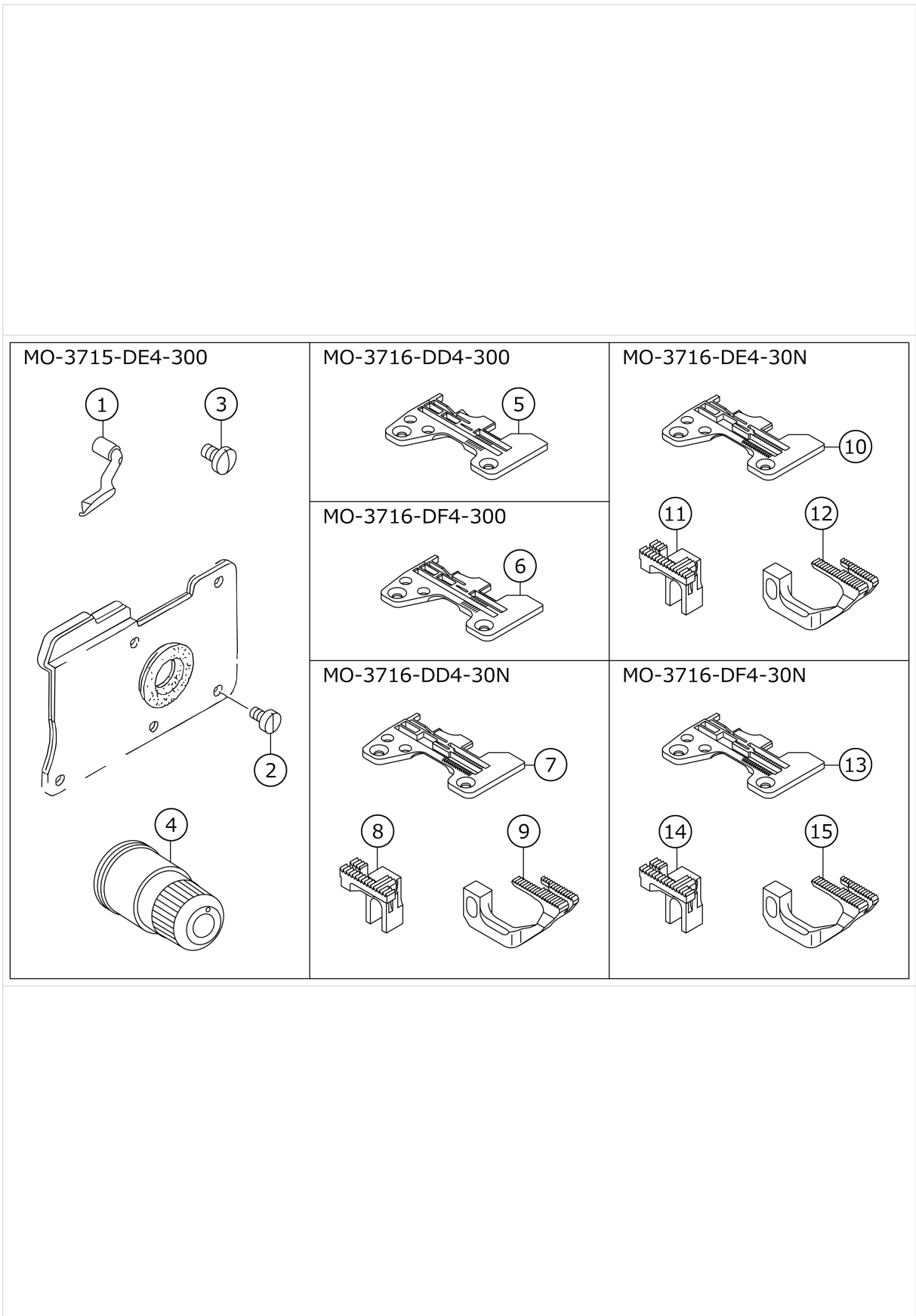


MO-3700 SUBCLASSES 3715/3716/3743

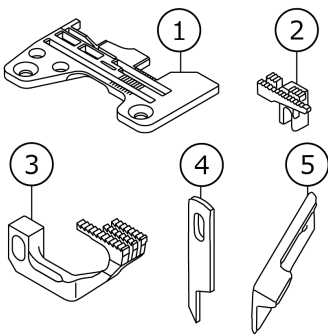
MO-3700 SUBCLASSES (1)



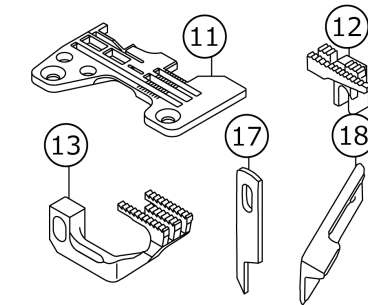
No.	品番	品名	備考	子部品	消耗品	個数
1	11888609	UPPER SPREADER				1.00
2	SS6090630SP	SCREW 9/64-40 L=6				1.00
3	SS7110710SL	SCREW 11/64-40 L=7.0				1.00
4	12254850	THREAD TENSION SPRING COMPL.				1.00
5	R4508J0DD00	THROAT PLATE				1.00
6	R4508J0FD00	THROAT PLATE				1.00
7	R4508J0DD0E	THROAT PLATE				1.00
8	12171302	MAIN FEED DOG				1.00
9	12174306	SUB-FEED DOG				1.00
10	R4508J0ED0D	THROAT PLATE				1.00
11	12171302	MAIN FEED DOG				1.00
12	12174306	SUB-FEED DOG				1.00
13	R4508J0FD0B	THROAT PLATE				1.00
14	12171302	MAIN FEED DOG				1.00
15	12174306	SUB-FEED DOG				1.00

MO-3700 SUBCLASSES (2)

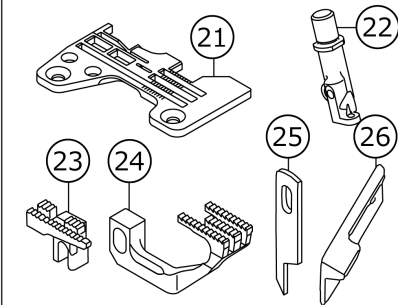
MO-3716-DD6-300



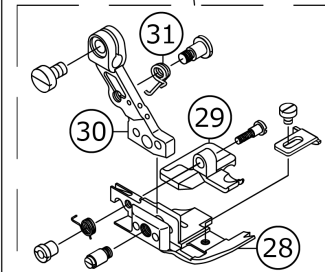
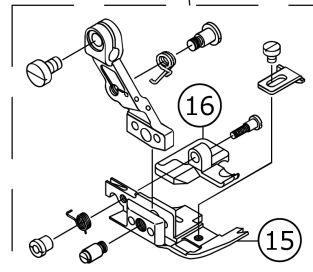
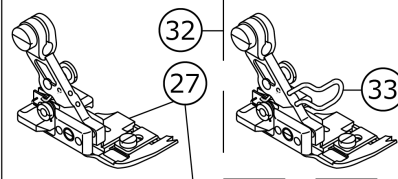
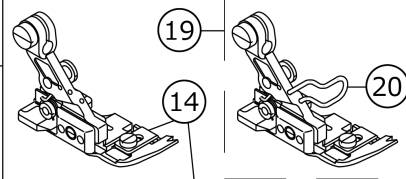
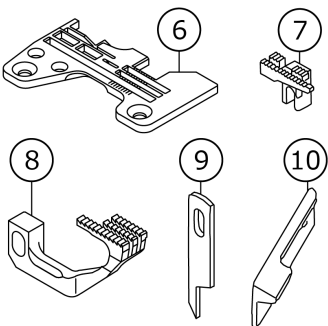
MO-3716-DF6-300



MO-3716-FF6-300



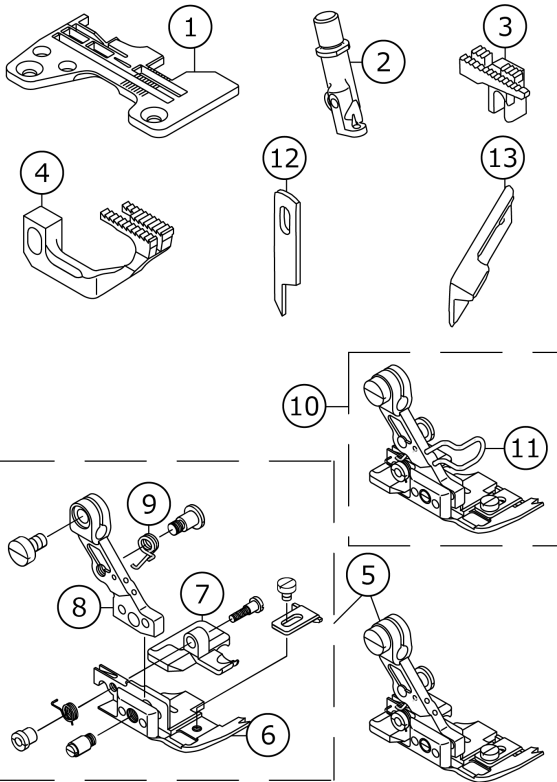
MO-3716-DE6-300



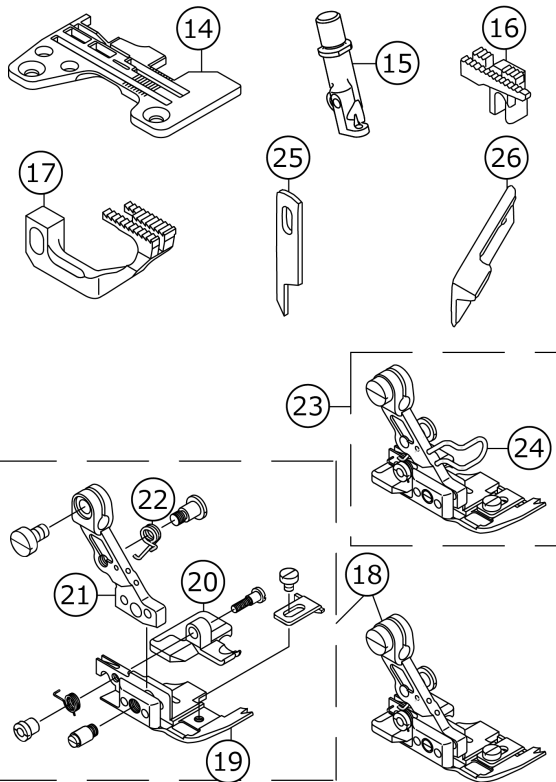
No.	品番	品名	備考	子部品	消耗品	個数
1	R4608J0DD00	THROAT PLATE				1.00
2	11882909	MAIN FEED DOG				1.00
3	12173209	DIFFERENTIAL FEED DOG				1.00
4	11845609	KNIFE				1.00
5	11845807	UPPER KNIFE	FOR EXPORT			1.00
6	R4608J0ED00	THROAT PLATE				1.00
7	11882909	MAIN FEED DOG				1.00
8	12173209	DIFFERENTIAL FEED DOG				1.00
9	11845609	KNIFE				1.00
10	11845807	UPPER KNIFE	FOR EXPORT			1.00
11	R4608J0FD00	THROAT PLATE				1.00
12	11987708	MAIN FEED DOG				1.00
13	12173308	DIFFERENTIAL FEED DOG				1.00
14	12154159	PRESSER FOOT ASM.				1.00
15	12162608	PRESSER FOOT		*		1.00
16	12165205	REAR PRESSER FOOT		*		1.00
17	11845609	KNIFE				1.00
18	11845807	UPPER KNIFE	FOR EXPORT			1.00
19	12154167	PRESSER FOOT ASM.	FOR EXPORT			1.00
20	12168209	FINGER GUARD		*		1.00
21	R4612J0FD00	THROAT PLATE				1.00
22	12150306	NEEDLE CLAMP, CHAIN LOOPER				1.00
23	11884004	MAIN FEED DOG				1.00
24	12173308	DIFFERENTIAL FEED DOG				1.00
25	11845609	KNIFE				1.00
26	11845807	UPPER KNIFE	FOR EXPORT			1.00
27	12154258	PRESSER FOOT ASM.				1.00
28	12162707	PRESSER FOOT		*		1.00
29	12165304	REAR PRESSER FOOT		*		1.00
30	12157004	PRESSER FOOT HINGE		*		1.00
31	12168001	PRESSER FOOT ARM SPRING, (B)		*		1.00
32	12154266	PRESSER FOOT ASM.	FOR EXPORT			1.00
33	12168209	FINGER GUARD		*		1.00

MO-3700 SUBCLASSES (3)

MO-3716-FF4-300



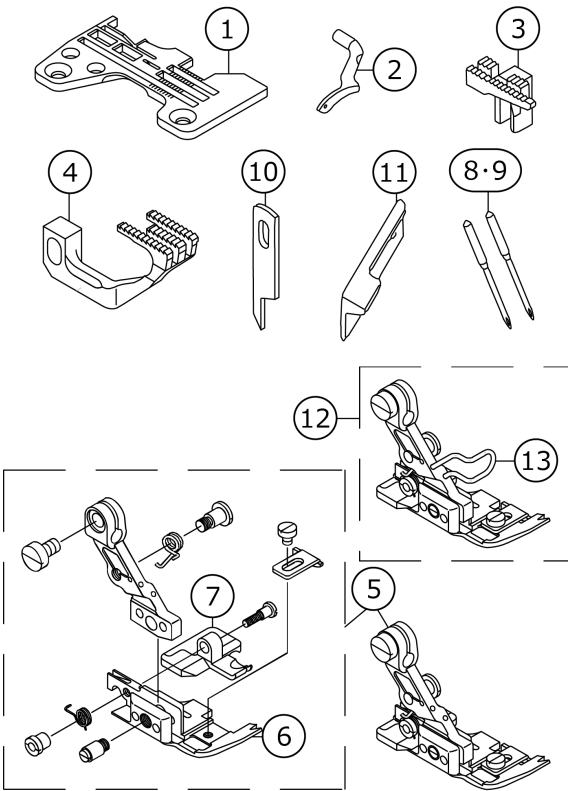
MO-3716-FG4-300



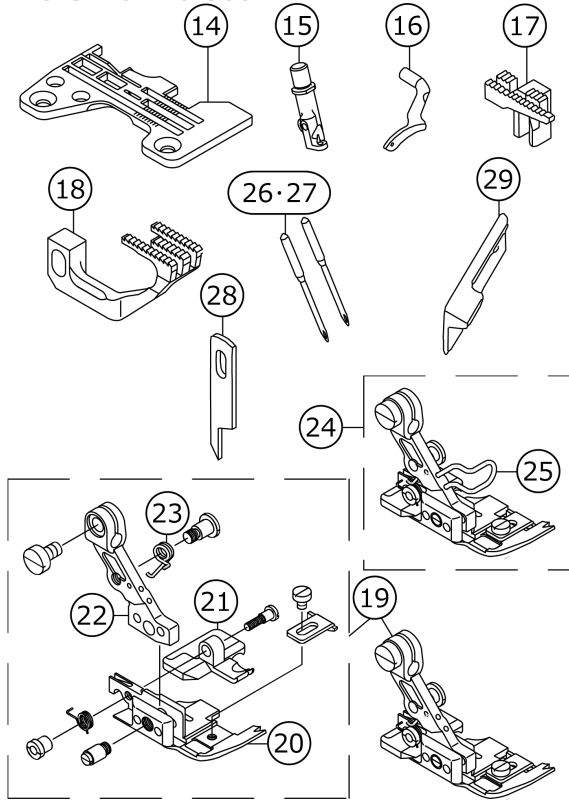
No.	品番	品名	備考	子部品	消耗品	個数
1	R4508J0FD00	THROAT PLATE				1.00
2	12150306	NEEDLE CLAMP, CHAIN LOOPER				1.00
3	11884004	MAIN FEED DOG				1.00
4	12173100	DIFFERENTIAL FEED DOG				1.00
5	12154258	PRESSER FOOT ASM.				1.00
6	12162707	PRESSER FOOT		*		1.00
7	12165304	REAR PRESSER FOOT		*		1.00
8	12157004	PRESSER FOOT HINGE		*		1.00
9	12168001	PRESSER FOOT ARM SPRING, (B)		*		1.00
10	12154266	PRESSER FOOT ASM.	FOR EXPORT			1.00
11	12168209	FINGER GUARD		*		1.00
12	11845609	KNIFE				1.00
13	11845807	UPPER KNIFE	FOR EXPORT			1.00
14	R4512J0GD00	THROAT PLATE				1.00
15	12150306	NEEDLE CLAMP, CHAIN LOOPER				1.00
16	11884004	MAIN FEED DOG				1.00
17	12173100	DIFFERENTIAL FEED DOG				1.00
18	12154258	PRESSER FOOT ASM.				1.00
19	12162707	PRESSER FOOT		*		1.00
20	12165304	REAR PRESSER FOOT		*		1.00
21	12157004	PRESSER FOOT HINGE		*		1.00
22	12168001	PRESSER FOOT ARM SPRING, (B)		*		1.00
23	12154266	PRESSER FOOT ASM.	FOR EXPORT			1.00
24	12168209	FINGER GUARD		*		1.00
25	11845609	KNIFE				1.00
26	11845807	UPPER KNIFE	FOR EXPORT			1.00

MO-3700 SUBCLASSES (4)

MO-3716-DF6-500



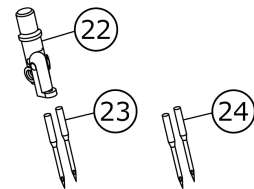
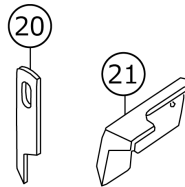
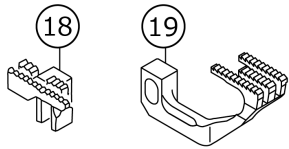
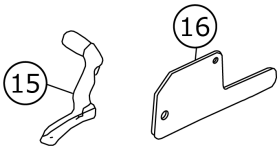
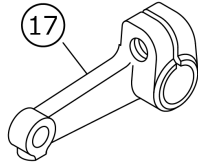
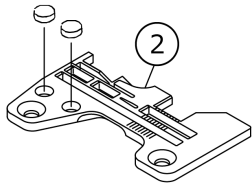
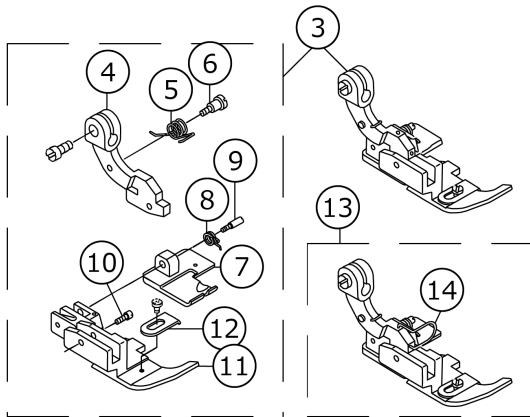
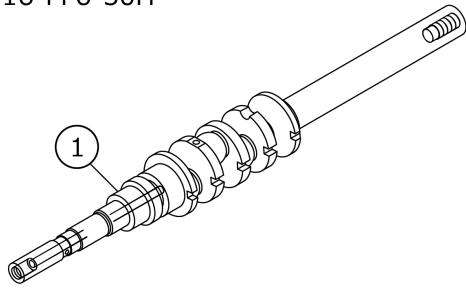
MO-3716-FF6-500



No.	品番	品名	備考	子部品	消耗品	個数
1	R4608J0FG00	THROAT PLATE				1.00
2	11999208	UPPER LOOPER				1.00
3	11884400	MAIN FEED DOG				1.00
4	12173506	DIFFERENTIAL FEED DOG				1.00
5	12154159	PRESSER FOOT ASM.				1.00
6	12162608	PRESSER FOOT		*		1.00
7	12165205	REAR PRESSER FOOT		*		1.00
8	MDC270B1600	NEEDLE DCX27 #16				2.00
9	MC033601000	NEEDLE B-27 NM100	FOR JE			2.00
10	11845609	KNIFE				1.00
11	11845807	UPPER KNIFE	FOR EXPORT			1.00
12	12154167	PRESSER FOOT ASM.	FOR EXPORT			1.00
13	12168209	FINGER GUARD		*		1.00
14	R4612J0FG00	THROAT PLATE				1.00
15	12150306	NEEDLE CLAMP, CHAIN LOOPER				1.00
16	11999208	UPPER LOOPER				1.00
17	11883006	MAIN FEED DOG				1.00
18	12173506	DIFFERENTIAL FEED DOG				1.00
19	12154258	PRESSER FOOT ASM.				1.00
20	12162707	PRESSER FOOT		*		1.00
21	12165304	REAR PRESSER FOOT		*		1.00
22	12157004	PRESSER FOOT HINGE		*		1.00
23	12168001	PRESSER FOOT ARM SPRING, (B)		*		1.00
24	12154266	PRESSER FOOT ASM.	FOR EXPORT			1.00
25	12168209	FINGER GUARD		*		1.00
26	MDC270B1600	NEEDLE DCX27 #16				2.00
27	MC033601000	NEEDLE B-27 NM100	FOR JE			2.00
28	11845609	KNIFE				1.00
29	11845807	UPPER KNIFE	FOR EXPORT			1.00

MO-3700 SUBCLASSES (5)

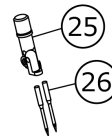
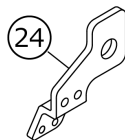
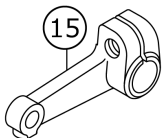
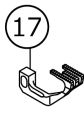
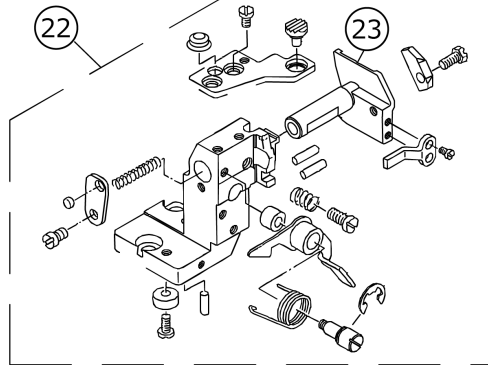
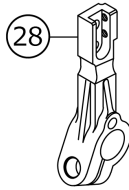
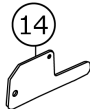
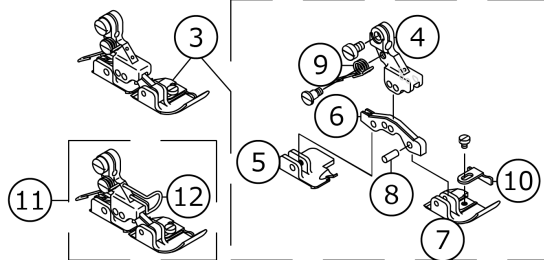
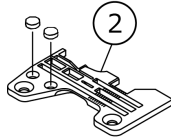
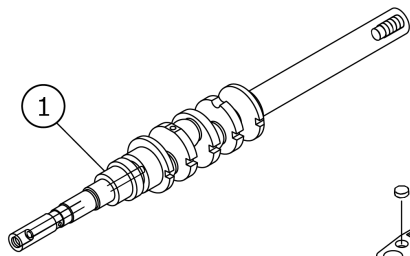
MO-3716-FF6-50H



No.	品番	品名	備考	子部品	消耗品	個数
1	12107207	CRANKSHAFT				1.00
2	R4612J0FF00	THROAT PLATE				1.00
3	11991171	PRESSER FOOT ASM.				1.00
4	11991015	PRESSER FOOT HINGE		*		1.00
5	B151581600B	PRESSER FOOT ARM SPRING B		*		1.00
6	B1514816000	SCREW		*		1.00
7	11991205	REAR PRESSER FOOT		*		1.00
8	11991304	SPRING		*		1.00
9	11930807	HINGE PIN		*		1.00
10	11993508	PRESSER FOOT HINGE PIN		*		1.00
11	11991114	HINGED TYPE PRESSER FOOT		*		1.00
12	B1530816D00	AUXILIARY STOPPER		*		1.00
13	11991189	PRESSER FOOT ASM.	FOR EXPORT			1.00
14	11820800	FINGER GUARD		*		1.00
15	11991908	UPPER LOOPER				1.00
16	11991601	UPPER LOOPER GUIDE COVER				1.00
17	11831500	UPPER LOOPER ARM B				1.00
18	11883006	MAIN FEED DOG				1.00
19	12173506	DIFFERENTIAL FEED DOG				1.00
20	11845609	KNIFE				1.00
21	11845807	UPPER KNIFE	FOR EXPORT			1.00
22	12150306	NEEDLE CLAMP, CHAIN LOOPER				1.00
23	MDC270B1600	NEEDLE DCX27 #16				2.00
24	MC033601000	NEEDLE B-27 NM100	FOR JE			2.00

MO-3700 SUBCLASSES (6)

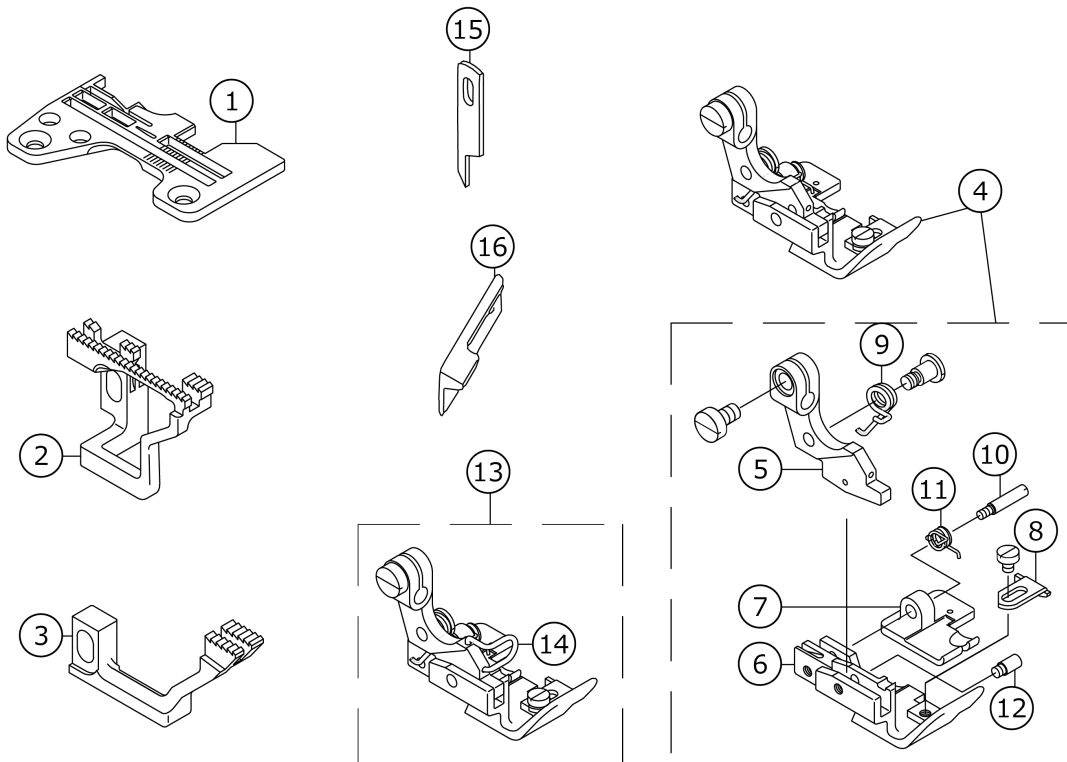
MO-3716-FF6-60H



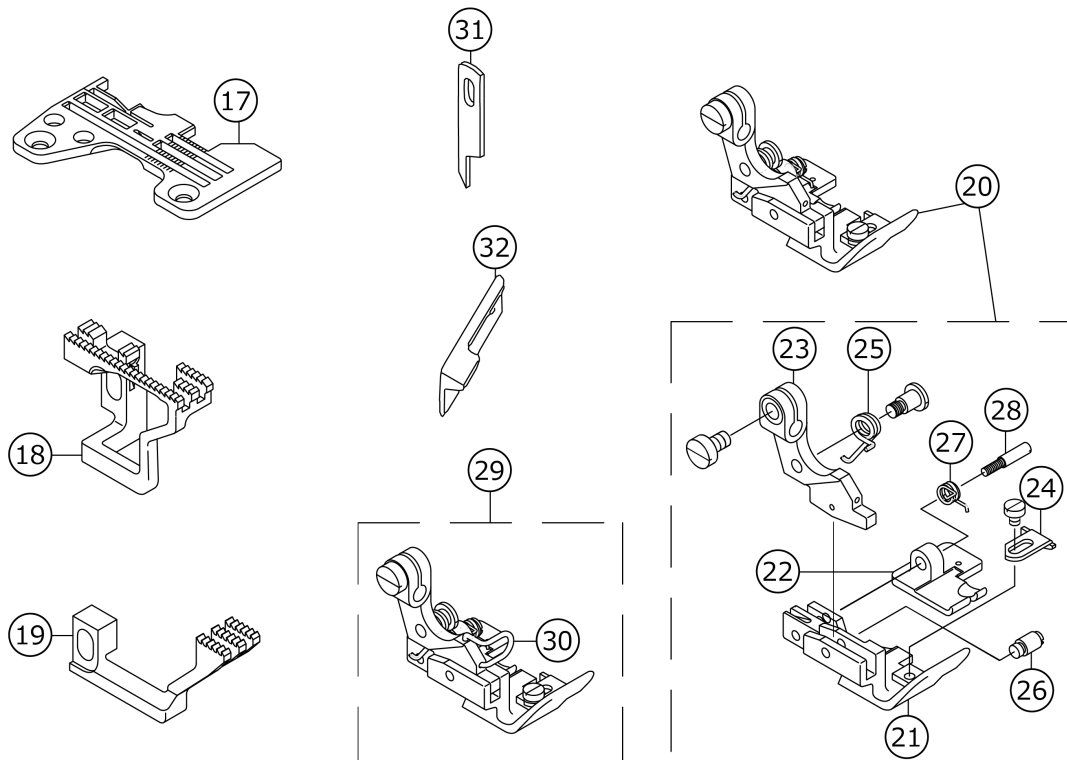
No.	品番	品名	備考	子部品	消耗品	個数
1	12107306	CRANKSHAFT				1.00
2	R4612J0FK00	THROAT PLATE				1.00
3	12155552	PRESSER FOOT ASM.				1.00
4	12157319	PRESSER FOOT HINGE ARM		*		1.00
5	12165908	REAR PRESSER FOOT		*		1.00
6	12168407	PRESSER FOOT HINGE		*		1.00
7	12164000	PRESSER FOOT		*		1.00
8	11930708	PRESSER FOOT HINGE PIN		*		3.00
9	12168506	PRESSER FOOT ARM SPRING		*		1.00
10	12168605	CLOTH GUIDE		*		1.00
11	12155560	PRESSER FOOT ASM.	FOR EXPORT			1.00
12	12168803	FINGER GUARD		*		1.00
13	12176202	UPPER LOOPER				1.00
14	11991601	UPPER LOOPER GUIDE COVER				1.00
15	11831500	UPPER LOOPER ARM B				1.00
16	12171104	MAIN FEED DOG				1.00
17	12174207	DIFFERENTIAL FEED DOG				1.00
18	11999802	LOWER LOOPER				1.00
19	12004909	KNIFE				1.00
20	11565900	UPPER KNIFE	FOR EXPORT			1.00
21	11566502	LOWER KNIFE				1.00
22	12133682	LOWER KNIFE BRACKET ASM.				1.00
23	12133500	LOWER KNIFE SLIDE STUD		*		1.00
24	12112801	TAKE-UP LEVER GUIDE				1.00
25	12150702	NEEDLE CLAMP, CHAIN LOOPER				1.00
26	MDC270B2100	NEEDLE DCX27 #21				2.00
27	MC033601300	NEEDLE B-27 NM130	FOR JE			2.00
28	12273900	LOWER LOOPER SUPPORT ARM				1.00

MO-3700 SUBCLASSES (7)

MO-3716-DE4-320



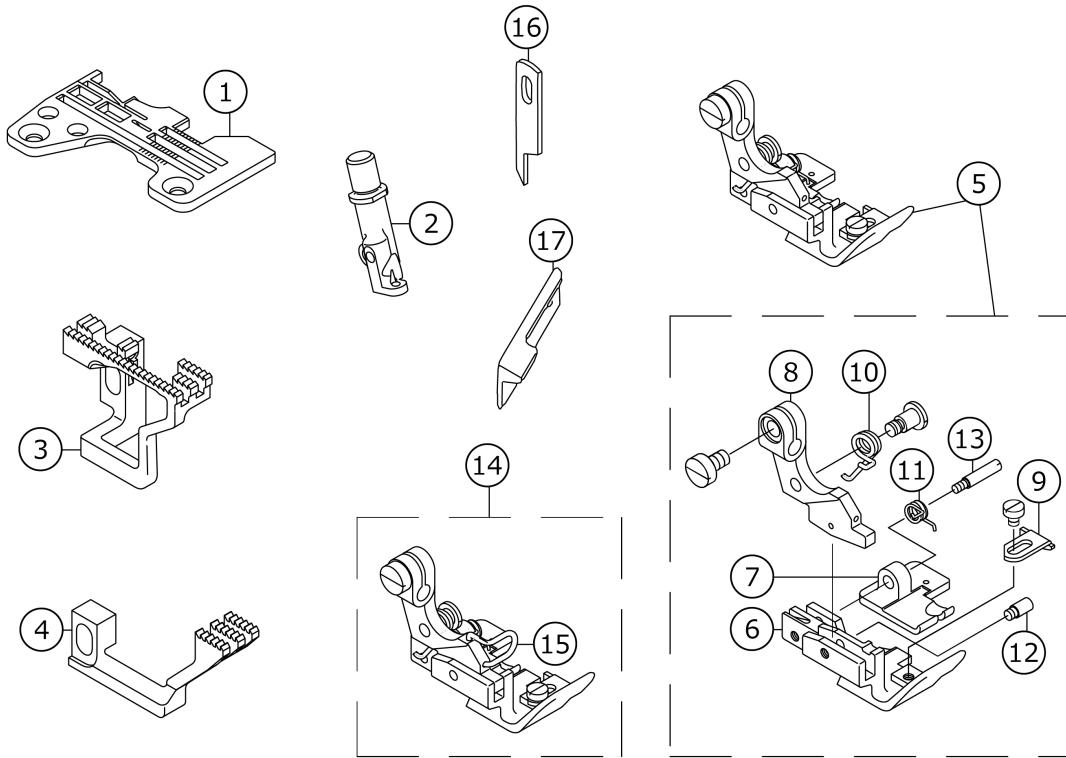
MO-3716-DF6-320



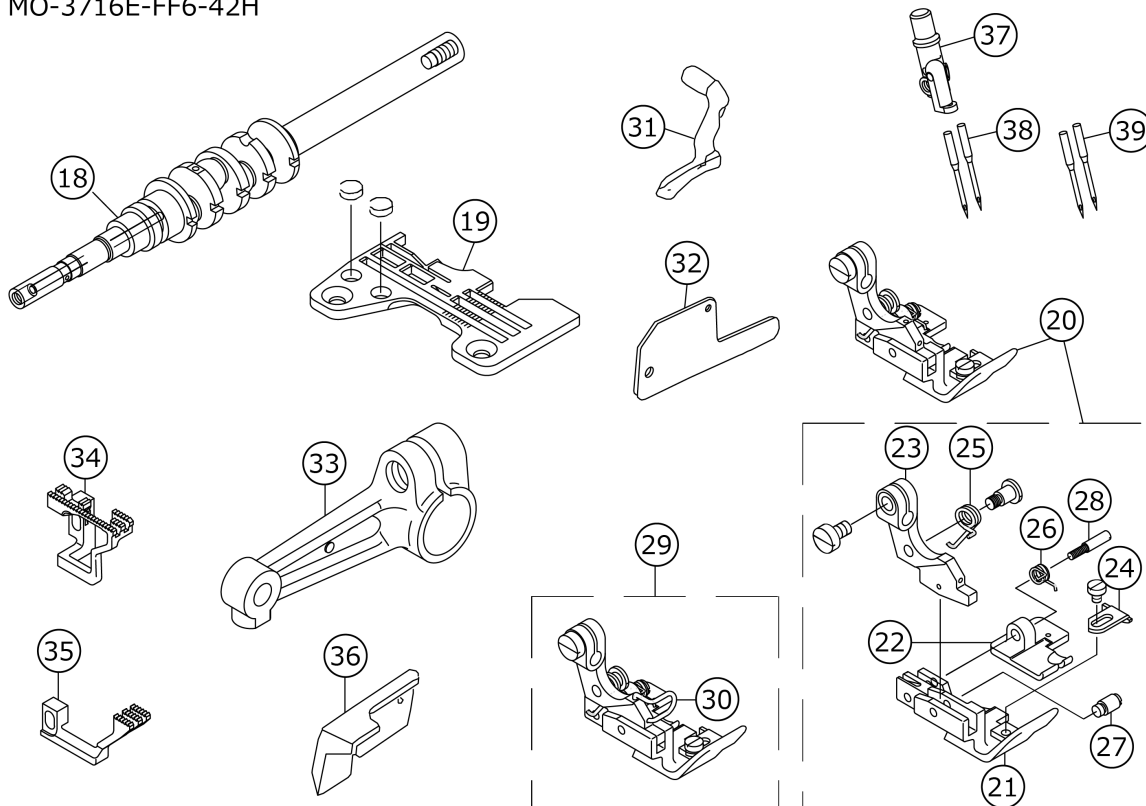
No.	品番	品名	備考	子部品	消耗品	個数
1	R4508J0ED0B	THROAT PLATE				1.00
2	12170700	MAIN FEED DOG				1.00
3	12172904	DIFFERENTIAL FEED DOG				1.00
4	12154654	PRESSER FOOT ASM.				1.00
5	12157103	PRESSER FOOT HINGE		*		1.00
6	12163101	FRONT PRESSER FOOT		*		1.00
7	12165502	REAR PRESSER FOOT		*		1.00
8	12168100	CLOTH GUIDE		*		1.00
9	B1515816000	PRESSER FOOT ARM SPRING		*		1.00
10	11930807	HINGE PIN		*		1.00
11	11991304	SPRING		*		1.00
12	11993508	PRESSER FOOT HINGE PIN		*		1.00
13	12154662	PRESSER FOOT ASM.	FOR EXPORT			1.00
14	11820800	FINGER GUARD		*		1.00
15	11845609	KNIFE				1.00
16	11845807	UPPER KNIFE	FOR EXPORT			1.00
17	R4608J0FD0A	THROAT PLATE				1.00
18	12170809	MAIN FEED DOG				1.00
19	12173407	DIFFERENTIAL FEED DOG				1.00
20	12154753	PRESSER FOOT ASM.				1.00
21	12163200	FRONT PRESSER FOOT		*		1.00
22	12165502	REAR PRESSER FOOT		*		1.00
23	12168100	CLOTH GUIDE		*		1.00
24	B1515816000	PRESSER FOOT ARM SPRING		*		1.00
25	12157103	PRESSER FOOT HINGE		*		1.00
26	11993508	PRESSER FOOT HINGE PIN		*		1.00
27	11991304	SPRING		*		1.00
28	11930807	HINGE PIN		*		1.00
29	12154761	PRESSER FOOT ASM.	FOR EXPORT			1.00
30	11820800	FINGER GUARD	FOR EXPORT	*		1.00
31	11845609	KNIFE				1.00
32	11845807	UPPER KNIFE	FOR EXPORT			1.00

MO-3700 SUBCLASSES (8)

MO-3716-FF6-320



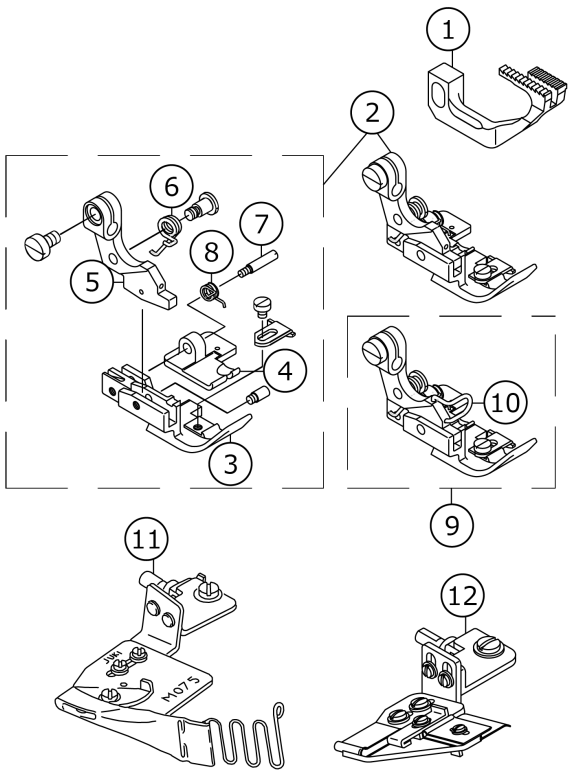
MO-3716E-FF6-42H



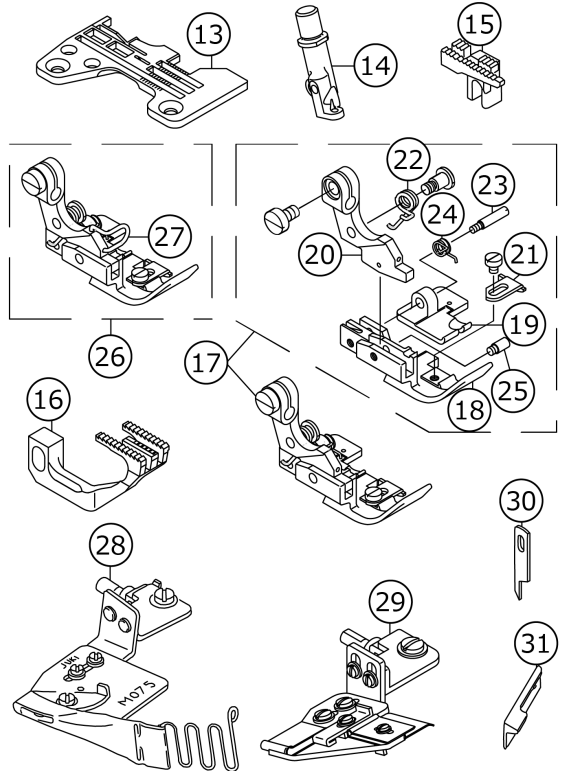
No.	品番	品名	備考	子部品	消耗品	個数
1	R4612J0FD0A	THROAT PLATE				1.00
2	12150306	NEEDLE CLAMP, CHAIN LOOPER				1.00
3	12170908	MAIN FEED DOG				1.00
4	12173407	DIFFERENTIAL FEED DOG				1.00
5	12154852	PRESSER FOOT ASM.				1.00
6	12163309	PRESSER FOOT		*		1.00
7	11991205	REAR PRESSER FOOT		*		1.00
8	11991015	PRESSER FOOT HINGE		*		1.00
9	12168100	CLOTH GUIDE		*		1.00
10	B151581600B	PRESSER FOOT ARM SPRING B		*		1.00
11	11993508	PRESSER FOOT HINGE PIN		*		1.00
12	11991304	SPRING		*		1.00
13	11930807	HINGE PIN		*		1.00
14	12154860	PRESSER FOOT ASM.	FOR EXPORT			1.00
15	11820800	FINGER GUARD		*		1.00
16	11845609	KNIFE				1.00
17	11845807	UPPER KNIFE	FOR EXPORT			1.00
18	12107207	CRANKSHAFT				1.00
19	R4612J0FD0A	THROAT PLATE				1.00
20	12154852	PRESSER FOOT ASM.				1.00
21	12163309	PRESSER FOOT		*		1.00
22	11991205	REAR PRESSER FOOT		*		1.00
23	11991015	PRESSER FOOT HINGE		*		1.00
24	12168100	CLOTH GUIDE		*		1.00
25	B151581600B	PRESSER FOOT ARM SPRING B		*		1.00
26	11993508	PRESSER FOOT HINGE PIN		*		1.00
27	11991304	SPRING		*		1.00
28	11930807	HINGE PIN		*		1.00
29	12154860	PRESSER FOOT ASM.	FOR EXPORT			1.00
30	11820800	FINGER GUARD		*		1.00
31	11991908	UPPER LOOPER				1.00
32	11991601	UPPER LOOPER GUIDE COVER				1.00
33	11831500	UPPER LOOPER ARM B				1.00
34	12170908	MAIN FEED DOG				1.00
35	12173407	DIFFERENTIAL FEED DOG				1.00
36	11845807	UPPER KNIFE				1.00
37	12150306	NEEDLE CLAMP, CHAIN LOOPER				1.00
38	MDC270B1400	NEEDLE DCX27 #14				2.00
39	MC033600900	NEEDLE B-27 NM90	FOR JE			2.00

MO-3700 SUBCLASSES (9)

MO-3716-DE4-300/M075(M076)



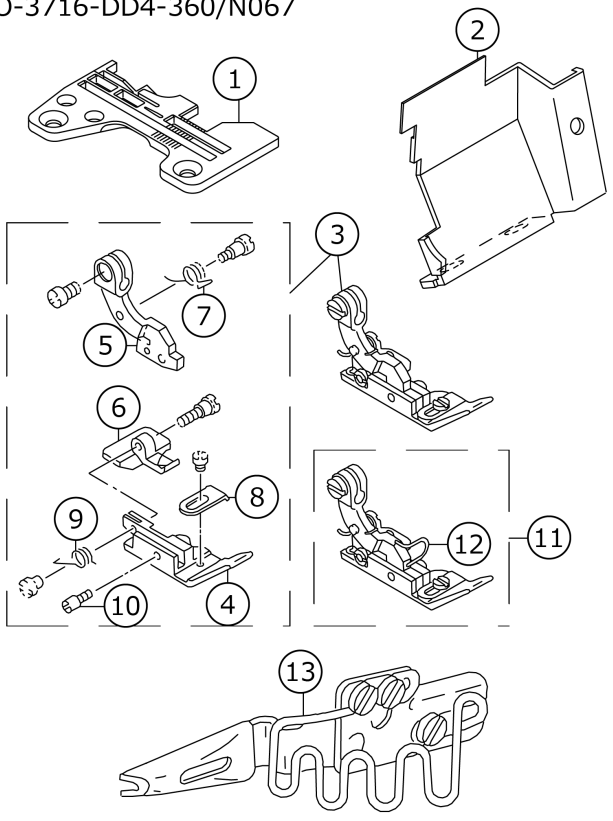
MO-3716-FF6-300/M075(M076)



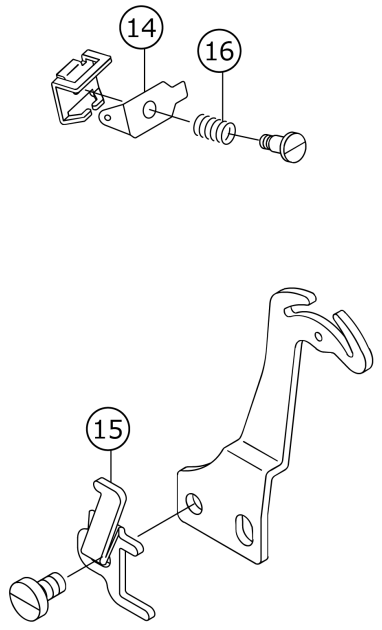
No.	品番	品名	備考	子部品	消耗品	個数
1	12173001	DIFFERENTIAL FEED DOG				1.00
2	12155156	PRESSER FOOT ASM.				1.00
3	12163606	FRONT PRESSER FOOT		*		1.00
4	12165700	REAR PRESSER FOOT		*		1.00
5	12157103	PRESSER FOOT HINGE		*		1.00
6	B1515816000	PRESSER FOOT ARM SPRING		*		1.00
7	11930807	HINGE PIN		*		1.00
8	11991304	SPRING		*		1.00
9	12155164	PRESSER FOOT ASM.	FOR EXPORT			1.00
10	11820800	FINGER GUARD		*		1.00
11	MAM0750J0A0	PIPING FOLDER ASM. 9MM	FOR M075			1.00
12	MAM0760N0A0	PIPING GUIDE ASM. 13MM	FOR M076			1.00
13	R4612J0FD00	THROAT PLATE				1.00
14	12150306	NEEDLE CLAMP, CHAIN LOOPER				1.00
15	11884004	MAIN FEED DOG				1.00
16	12173605	DIFFERENTIAL FEED DOG				1.00
17	12155255	PRESSER FOOT ASM.				1.00
18	12163705	FRONT PRESSER FOOT		*		1.00
19	12165809	REAR PRESSER FOOT		*		1.00
20	11991015	PRESSER FOOT HINGE		*		1.00
21	12168100	CLOTH GUIDE		*		1.00
22	11991304	SPRING		*		1.00
23	11930807	HINGE PIN		*		1.00
24	B151581600B	PRESSER FOOT ARM SPRING B		*		1.00
25	11993508	PRESSER FOOT HINGE PIN		*		1.00
26	12155263	PRESSER FOOT ASM.	FOR EXPORT			1.00
27	11820800	FINGER GUARD		*		1.00
28	MAM0750J0A0	PIPING FOLDER ASM. 9MM	FOR M075			1.00
29	MAM0760N0A0	PIPING GUIDE ASM. 13MM	FOR M076			1.00
30	11845609	KNIFE				1.00
31	11845807	UPPER KNIFE	FOR EXPORT			1.00

MO-3700 SUBCLASSES (10)

MO-3716-DD4-360/N067



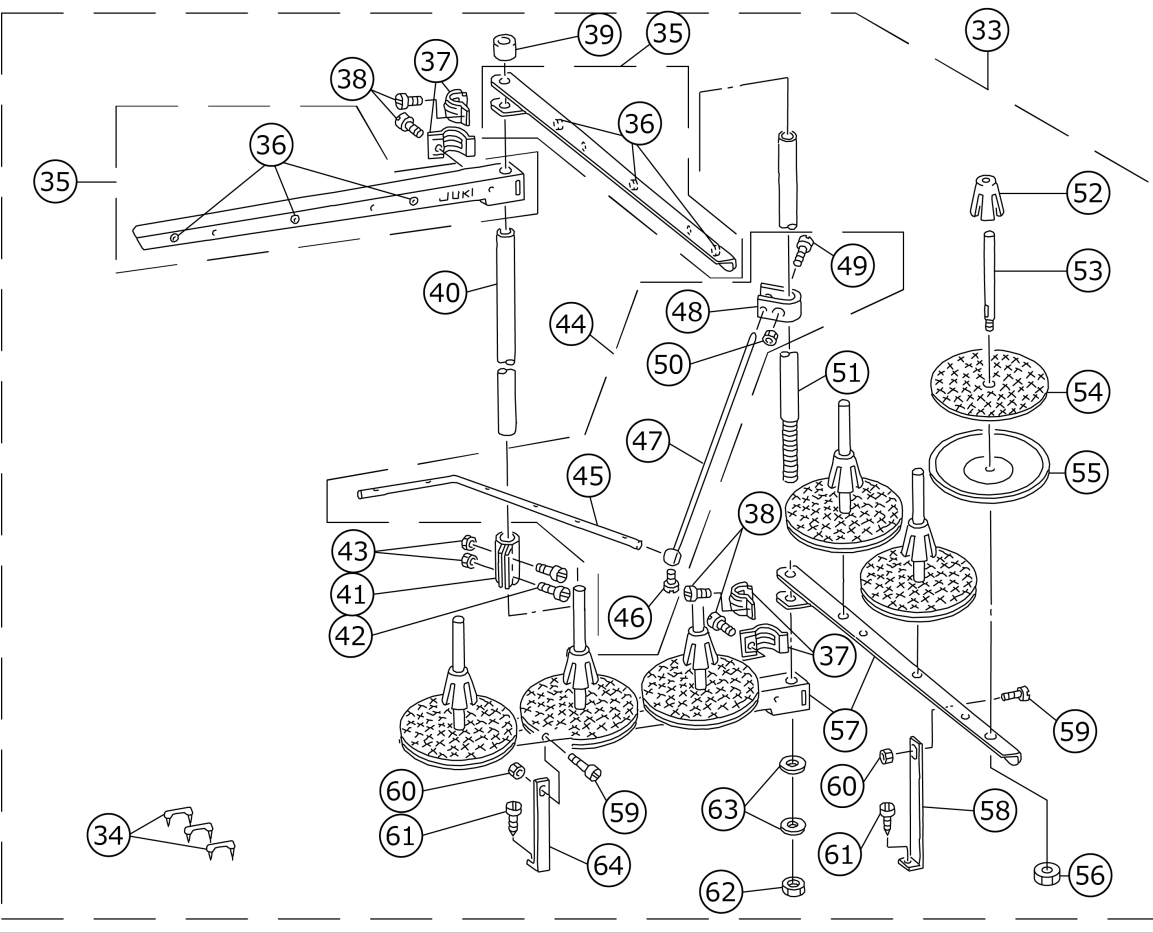
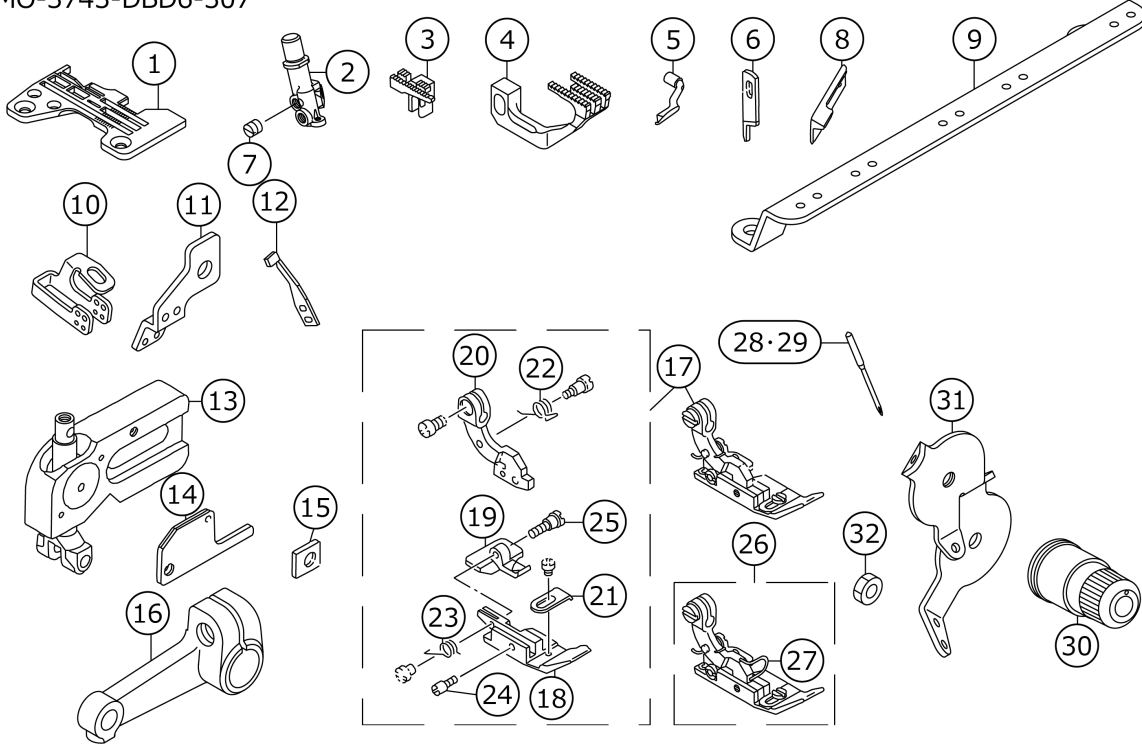
MO-3716A-DE4-300
MO-3716B-DE4-300



No.	品番	品名	備考	子部品	消耗品	個数
1	R4508J0DD0C	THROAT PLATE				1.00
2	12148003	CLOTH WASTE COVER				1.00
3	11879855	PRESSER FOOT ASM.				1.00
4	MAT80106N00	HINGED TYPE PRESSER FOOT		*		1.00
5	11872108	PRESSER FOOT HINGE		*		1.00
6	11875309	REAR PRESSER FOOT		*		1.00
7	B1515816000	PRESSER FOOT ARM SPRING		*		1.00
8	B1530816D00	AUXILIARY STOPPER		*		1.00
9	B1512816000	SPRING, FOR REAR PRESSER FOOT		*		1.00
10	B1510816000	HINGE PIN		*		1.00
11	11879863	PRESSER FOOT ASM.	FOR EXPORT			1.00
12	11820800	FINGER GUARD		*		1.00
13	MAN067000A0	TAPE OVEREDGING BINDER ASM.				1.00
14	12112504	NEEDLE THREAD PRESSER PLATE C				1.00
15	12112603	DIFFERENTIAL FEED CAM				1.00
16	12112702	NEEDLE THREAD PRESSER SPRING B				1.00

MO-3700 SUBCLASSES (11)

MO-3743-DBD6-307

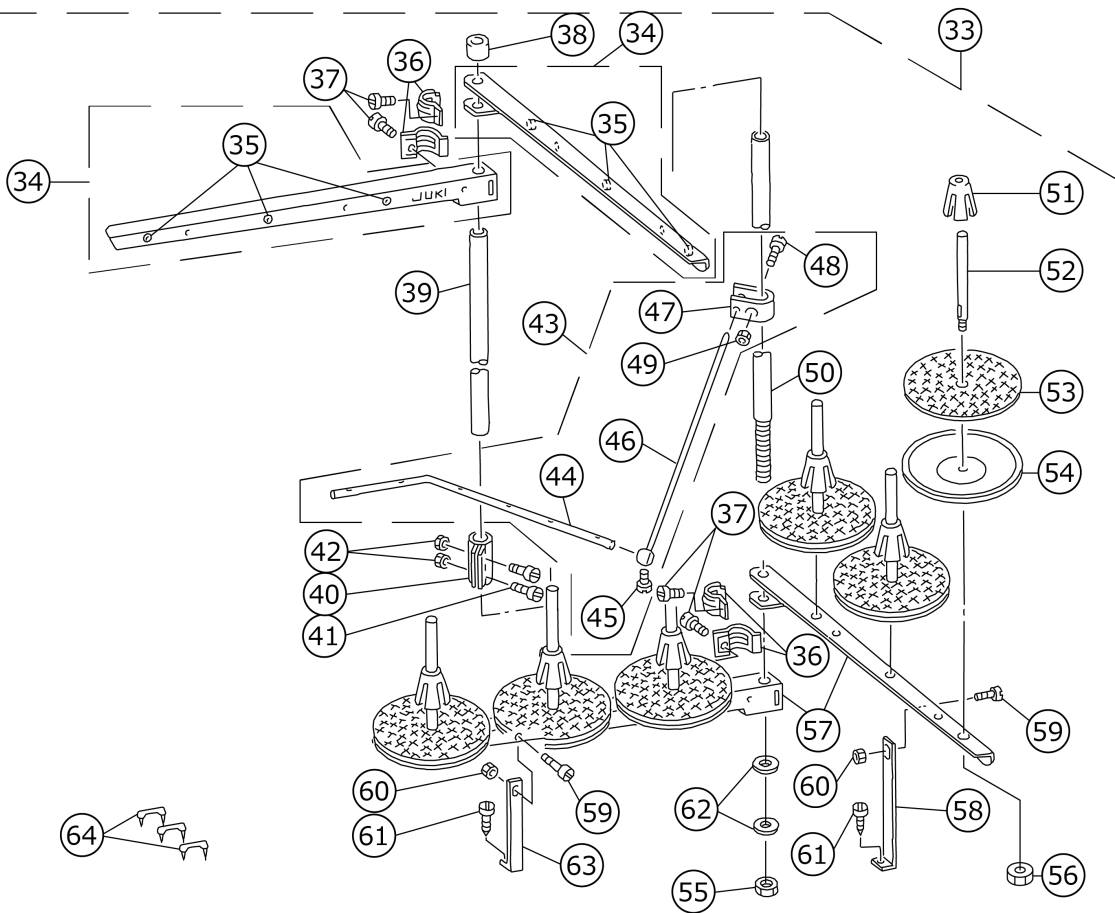
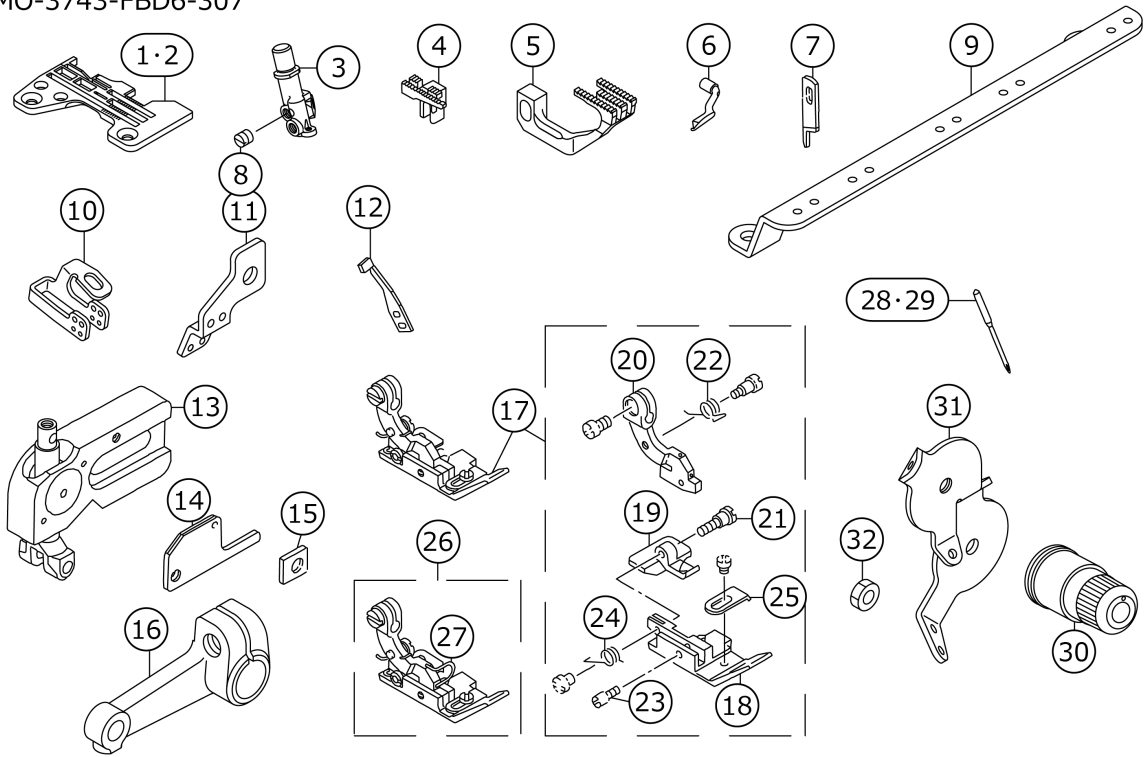


No.	品番	品名	備考	子部品	消耗品	個数
1	R4608J0DE01	THROAT PLATE				1.00
2	12150504	CHAIN LOOPER NEEDLE CLAMP				1.00
3	11882305	MAIN FEED DOG				1.00
4	12173308	DIFFERENTIAL FEED DOG				1.00
5	12176004	UPPER LOOPER				1.00
6	11845609	KNIFE				1.00
7	SS8080310TP	SCREW 1/8-44 L=2.8				1.00
8	11845807	UPPER KNIFE	FOR EXPORT			1.00
9	12255006	THREAD GUIDE				1.00
10	12146403	NEEDLE THREAD GUIDE, 3-NEEDLE				1.00
11	12111902	TAKE-UP LEVER GUIDE, 2-NEEDLE				1.00
12	11999406	NEEDLE HOLDER				1.00
13	12254256	UPPER LOOPER GUIDE B ASM.				1.00
14	B251570400B	UPPER LOOPER GUIDE COVER B				1.00
15	11831807	GAUGE				1.00
16	11831500	UPPER LOOPER ARM B				1.00
17	11877958	PRESSER FOOT ASM.				1.00
18	B1507843D00	PRESSER FOOT		*		1.00
19	11875408	REAR PRESSER FOOT		*		1.00
20	11872108	PRESSER FOOT HINGE		*		1.00
21	B1530816D00	AUXILIARY STOPPER		*		1.00
22	B1515816000	PRESSER FOOT ARM SPRING		*		1.00
23	B1512816000	SPRING, FOR REAR PRESSER FOOT		*		1.00
24	B1510816000	HINGE PIN		*		1.00
25	B1511816000	HINGE SCREW		*		1.00
26	11877966	PRESSER FOOT ASM.	FOR EXPORT			1.00
27	11820800	FINGER GUARD		*		1.00
28	MDC270B1100	NEEDLE DCX27 #11				1.00
29	MC033600750	NEEDLE B-27 NM75	FOR JE			1.00
30	12255352	THREAD TENSION SPRING JUNCTION				1.00
31	12255105	TENSION DISK THREAD GUIDE.				1.00
32	NS6110310SP	NUT 11/64-40				1.00
33	11969854	THREAD STAND ASM.				1.00
34	MAO11532000	CORD STAPLE		*		3.00
35	11969565	SPOOL REST ARM A ASM.		*		2.00
36	B3319704L00	THREAD GUIDE		*		6.00
37	B3318704L00A	THREAD GUIDE ARM JOINT		*		4.00
38	SM6061610SC	SCREW M6 L=16		*		4.00
39	B3311704000	SPOOL REST ROD CAP		*		1.00
40	11185204	SPOOL REST ROD,UPPER		*		1.00
41	B3305704000A	SPOOL REST ROD JOINT		*		1.00
42	SM4051405SE	SCREW M5 L=14		*		2.00
43	NM6050001SE	NUT M5		*		2.00
44	B33098430A0	THREAD GUIDE ARM ASM.		*		1.00
45	B3311843000	LOWER THREAD GUIDE		*		1.00
46	SS7110540SP	SCREW 11/64-40 L=5		*		1.00
47	B3309704000	THREAD GUIDE ARM		*		1.00
48	B3304704000A	THREAD GUIDE ARM HOLDER		*		1.00
49	SM6053000SE	SCREW M5X0.8 L=30		*		1.00
50	NM6050001SE	NUT M5		*		1.00

51	11185105	SPOOL REST ROD,LOWER		*		1.00
52	11185501	SPOOL RETAINER		*		6.00
53	B3320704L00A	SPOOL PIN		*		6.00
54	B3311012000	SPOOL REST CUSHION		*		6.00
55	11966504	SPOOL REST		*		6.00
56	NM6050001SE	NUT M5		*		6.00
57	11969508	SPOOL REST ARM A		*		2.00
58	B3321704L0B	SPOOL REST ARM SUPPORT, B		*		1.00
59	SM4061201SE	SCREW M6 L=12		*		2.00
60	NM6060001SE	NUT M6		*		2.00
61	SK3382001SE	SCREW D=3.8 L=20		*		2.00
62	B3317704000	NUT		*		2.00
63	WP1612616SE	WASHER 16X30X2.6		*		2.00
64	B3321704L00	SPOOL REST ARM SUPPORT, A		*		1.00

MO-3700 SUBCLASSES (12)

MO-3743-FBD6-307

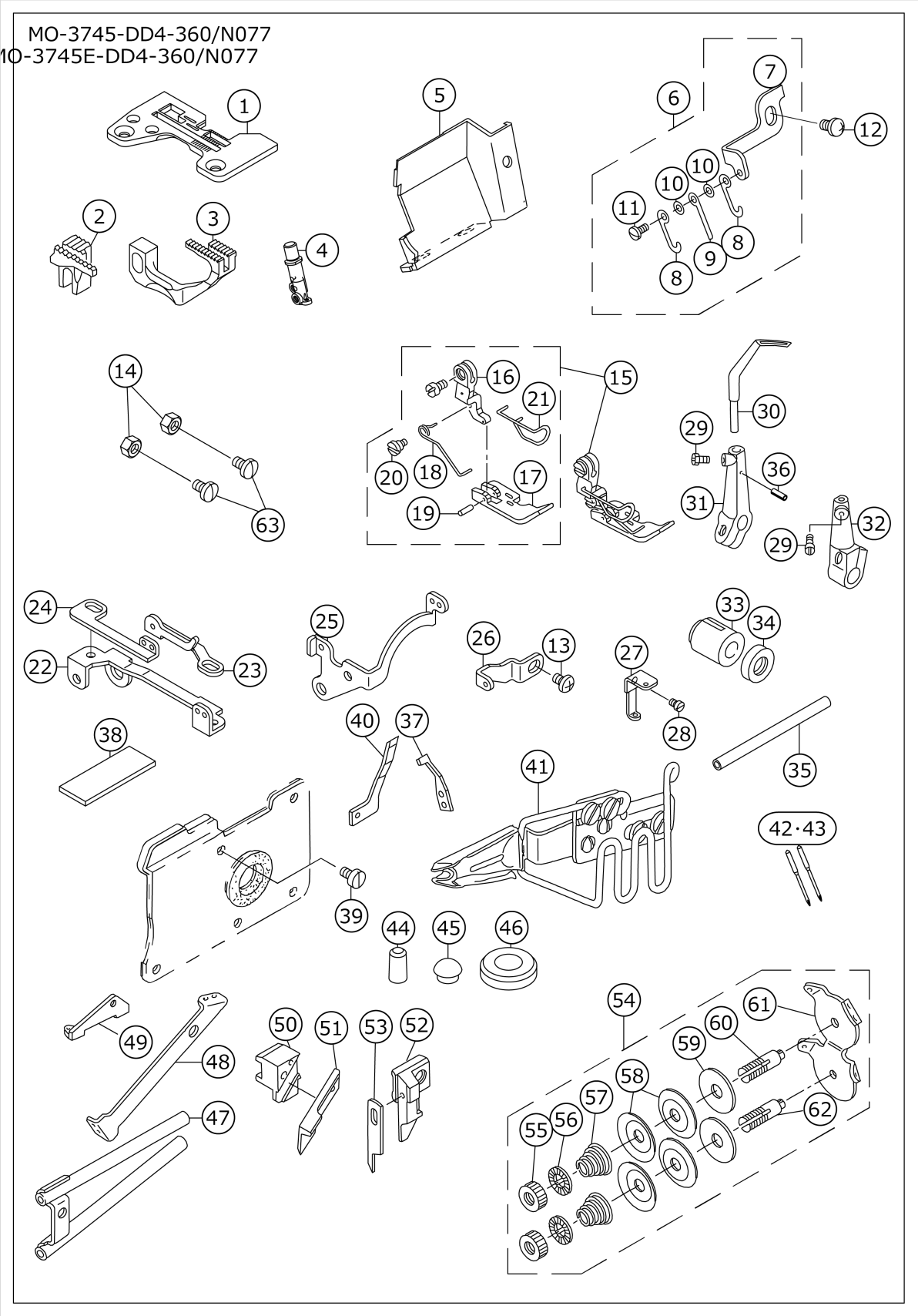


No.	品番	品名	備考	子部品	消耗品	個数
1	R4612J0DE03	NEEDLE PLATE	FOR EXPORT			1.00
2	R4608J0DE01	THROAT PLATE				1.00
3	12150603	CHAIN LOOPER NEEDLE CLAMP				1.00
4	11884004	MAIN FEED DOG				1.00
5	12173308	DIFFERENTIAL FEED DOG				1.00
6	12176004	UPPER LOOPER				1.00
7	11845609	KNIFE				1.00
8	SS8080310TP	SCREW 1/8-44 L=2.8				1.00
9	12255006	THREAD GUIDE				1.00
10	12146403	NEEDLE THREAD GUIDE, 3-NEEDLE				1.00
11	12112801	TAKE-UP LEVER GUIDE				1.00
12	11999406	NEEDLE HOLDER				1.00
13	12254256	UPPER LOOPER GUIDE B ASM.				1.00
14	B251570400B	UPPER LOOPER GUIDE COVER B				1.00
15	11831807	GAUGE				1.00
16	11831500	UPPER LOOPER ARM B				1.00
17	11878055	PRESSER FOOT ASM.				1.00
18	B1507843F00	PRESSER FOOT		*		1.00
19	11875507	REAR PRESSER FOOT		*		1.00
20	11872207	PRESSER FOOT HINGE		*		1.00
21	B1511816000	HINGE SCREW		*		1.00
22	B151581600B	PRESSER FOOT ARM SPRING B		*		1.00
23	B1510816000	HINGE PIN		*		1.00
24	B1512816000	SPRING, FOR REAR PRESSER FOOT		*		1.00
25	B1530816D00	AUXILIARY STOPPER		*		1.00
26	11878063	PRESSER FOOT ASM.	FOR EXPORT			1.00
27	11820800	FINGER GUARD		*		1.00
28	MDC270B1400	NEEDLE DCX27 #14				1.00
29	MC033601000	NEEDLE B-27 NM100	FOR JE			1.00
30	12255352	THREAD TENSION SPRING JUNCTION				1.00
31	12255105	TENSION DISK THREAD GUIDE.				1.00
32	NS6110310SP	NUT 11/64-40				1.00
33	11969854	THREAD STAND ASM.				1.00
34	11969565	SPOOL REST ARM A ASM.		*		2.00
35	B3319704L00	THREAD GUIDE		*		6.00
36	B3318704L00	THREAD GUIDE ARM JOINT		*		4.00
37	SM6061610SC	SCREW M6 L=16		*		4.00
38	B3311704000	SPOOL REST ROD CAP		*		1.00
39	11185204	SPOOL REST ROD,UPPER		*		1.00
40	B3305704000A	SPOOL REST ROD JOINT		*		1.00
41	SM4051405SE	SCREW M5 L=14		*		2.00
42	NM6050001SE	NUT M5		*		2.00
43	B33098430A0	THREAD GUIDE ARM ASM.		*		1.00
44	B3311843000	LOWER THREAD GUIDE		*		1.00
45	SS7110540SP	SCREW 11/64-40 L=5		*		1.00
46	B3309704000	THREAD GUIDE ARM		*		1.00
47	B3304704000A	THREAD GUIDE ARM HOLDER		*		1.00
48	SM6053000SE	SCREW M5X0.8 L=30		*		1.00
49	NM6050001SE	NUT M5		*		1.00
50	11185105	SPOOL REST ROD,LOWER		*		1.00

51	11185501	SPOOL RETAINER		*		6.00
52	B3320704L00	SPOOL PIN		*		6.00
53	B3311012000	SPOOL REST CUSHION		*		6.00
54	11966504	SPOOL REST		*		6.00
55	B3317704000	NUT		*		2.00
56	NM6050001SE	NUT M5		*		6.00
57	11969508	SPOOL REST ARM A		*		2.00
58	B3321704LOB	SPOOL REST ARM SUPPORT, B		*		1.00
59	SM4061201SE	SCREW M6 L=12		*		2.00
60	NM6060001SE	NUT M6		*		2.00
61	SK3382001SE	SCREW D=3.8 L=20		*		2.00
62	WP1612616SE	WASHER 16X30X2.6		*		2.00
63	B3321704L00	SPOOL REST ARM SUPPORT, A		*		1.00
64	MAO11532000	CORD STAPLE		*		3.00

MO-3700 SUBCLASSES (13)

MO-3745-DD4-360/N077
MO-3745E-DD4-360/N077



No.	品番	品名	備考	子部品	消耗品	個数
1	R4808J0DE00	THROAT PLATE				1.00
2	11884202	MAIN FEED DOG				1.00
3	12173803	DIFFERENTIAL FEED DOG				1.00
4	12275103	NEEDLE CLAMP CHAIN LOOPER.				1.00
5	12275301	CLOTH WASTE COVER				1.00
6	12145652	CHAIN LOOPER THREAD TAKE-UP				1.00
7	12145702	THREAD TAKE-UP FITTING BASE		*		1.00
8	B1427816000	NEEDLE THREAD TAKE-UP LEVER A		*		2.00
9	B1428816000	NEEDLE THREAD TAKE-UP LEVER B		*		1.00
10	WP0250516SD	WASHER 2.5X6X0.5		*		2.00
11	SS7060510SP	SCREW 3/32-56 L=4.8		*		1.00
12	SM4040655SP	SCREW M4 L=6				1.00
13	SS4110515SP	SCREW 11/64-40 L=5				1.00
14	NS6110420SP	NUT 11/64-40				2.00
15	11881661	PRESSER FOOT ASM.				1.00
16	11872405	PRESSER FOOT HINGE		*		1.00
17	11873601	PRESSER FOOT		*		1.00
18	11892106	PRESSER SPRING		*		1.00
19	B1511357000	PIN		*		1.00
20	SD0370401SP	HINGE SCREW D= 3.70 H= 4.0		*		1.00
21	11894706	FINGER GUARD		*		1.00
22	12146007	THREAD GUIDE BASE				1.00
23	12146106	THREAD GUIDE A				1.00
24	12146205	THREAD GUIDE B				1.00
25	12146304	THREAD GUIDE				1.00
26	12145801	CHAIN LOOPER THREAD GUIDE				1.00
27	12145900	NEEDLE THREAD GUIDE				1.00
28	SS6060340SP	SCREW 3/32-56 L= 2.5				1.00
29	SS9090610TP	SCREW 9/64-40 L=5.5				2.00
30	11999604	DOUBLE-RING LOOPER				2.00
31	B211784500A	CHAIN LOOPER SUPPORT ARM A				1.00
32	B211784500B	CHAIN LOOPER SUPPORT ARM B				1.00
33	B2110845000	BUSHING, FRONT				1.00
34	B2121845000	OIL SEAL				1.00
35	B2109816000	CHAIN LOOPER SHAFT				1.00
36	PS0200062KH	SPRING PIN 2X6				1.00
37	11891009	NEEDLE GUARD				1.00
38	B2528845000	CHIP GUARD PLATE				1.00
39	SS6090630SP	SCREW 9/64-40 L=6				1.00
40	11890902	NEEDLE GUARD				1.00
41	MAN0770FOA0	TOP CENTER PLAIT BINDER				1.00
42	MDC270B1400	NEEDLE DCX27 #14				2.00
43	MC033600900	NEEDLE B-27 NM90	FOR JE			2.00
44	TA0290601M0	PLUG D=2.9X3.2 L=6				1.00
45	TA0570301M0	PLUG D=5.7X6.1 L=3				1.00
46	TA1701002R0	RUBBER PLUG				1.00
47	11893054	LOOPER THREAD GUIDE TUBE ASM.				1.00
48	11893104	LOOPER THREAD GUIDE TUBE GUIDE				1.00
49	B240284500B	LOOPER THREAD GUIDE TUBE GUIDE	FOR T039,T040			1.00
50	11896305	UPPER KNIFE SUPPORT	FOR EXPORT			1.00

51	11845807	UPPER KNIFE	FOR EXPORT			1.00
52	11896206	UPPER KNIFE SUPPORT	FOR JAPAN			1.00
53	11845609	KNIFE	FOR JAPAN			1.00
54	11892957	TENSION CONTROLLER ASM.				1.00
55	B2314019000	TENSION POST NUT		*		2.00
56	B3120125000	ROTATING STOPPER		*		2.00
57	B2017372000	TENSION SPRING NO.1		*		2.00
58	B3126012000	THREAD TENSION DISK		*		4.00
59	B3120352000	THREAD TENSION SPRING FELT		*		2.00
60	11550803	THREAD TENSION POST		*		1.00
61	11892809	THREAD GUIDE		*		1.00
62	11892908	THREAD TENSION POST		*		1.00
63	SS7110710SL	SCREW 11/64-40 L=7.0				2.00

HOW TO MAKE USE OF THIS PARTS LIST

1.Explanation of codes

1)"*"mark.....means this part is changed from the previous parts book.

As to the details of the change, refer to the "List for information of change".

2)"#01".....refer to "Note" explanation at bottom of page.

2.Codes on the "Qty" column

· Each numeral indicates the number of parts required.

· "0.1" and "2.5" indicate the length (in meters) of the respective parts.

3.Parentheses mean that the corresponding part is a subpart that constructs an assembly part.

4.Dotted lines on the Figures indicate assembly parts.

1."注記"欄の記号説明

1) "*"印.....前回のパーツブックに比較して今回変更された部品を意味します。

変更内容は、"変更情報リスト"を参照してください。

2) "#01".....ページ下の"注記"の説明を参照してください。

2.数量欄の数字は、個数を表し、0.1、2.5等の数値は、長さ（単位メートル）を表します。

3.数量欄の（ ）は、組部品を構成している子部品であることを意味します。

4.イラストページの-----枠は、組構成であることを意味します。